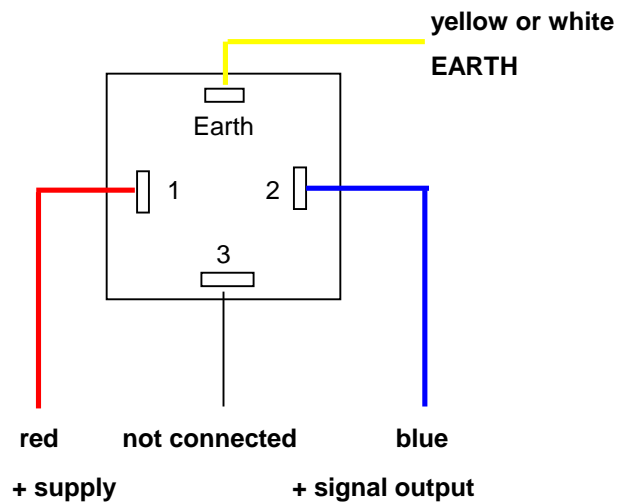


TRANSDUCER AND TRANSMITTER WIRING DIAGRAMS

DIN CONNECTORS

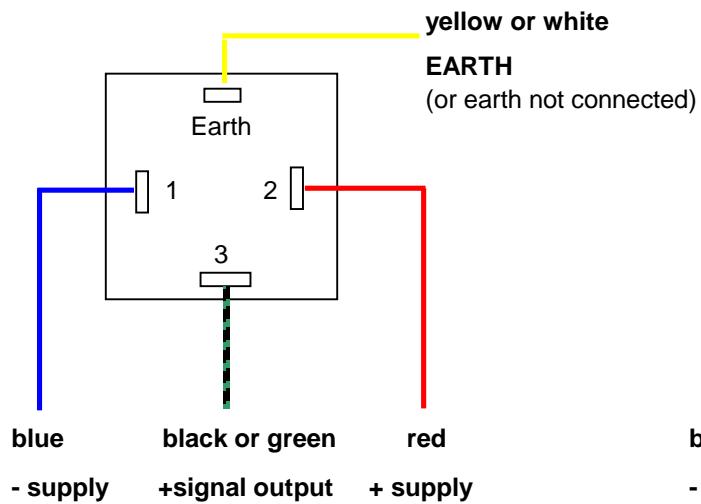
2 WIRE



OUTPUT

4-20 mA

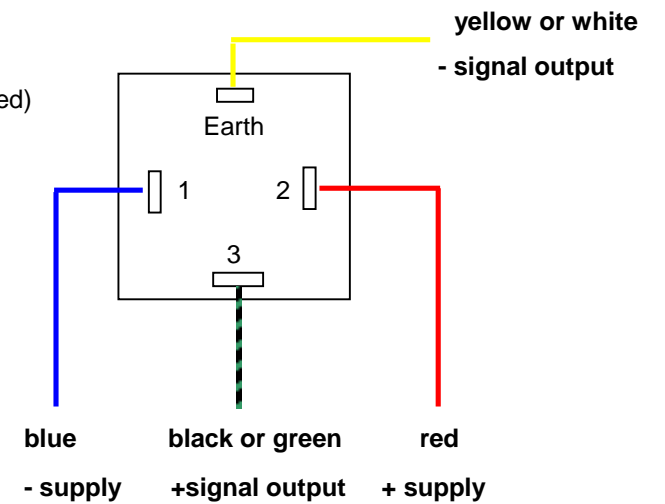
3 WIRE



OUTPUT

0-5 Vdc
0-10 Vdc

4 WIRE



OUTPUT

Unrat mV
0-20 mV
0-100 mV
0-5 Vdc
0-10 Vdc